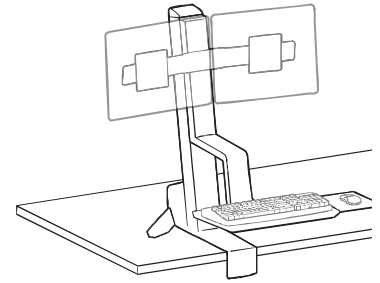
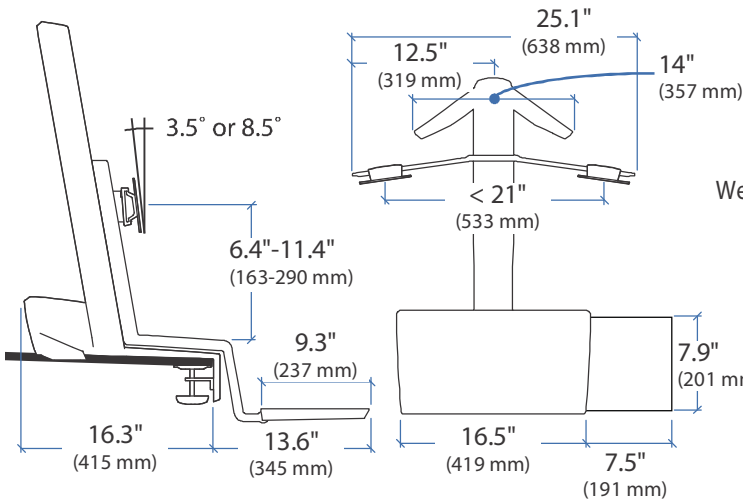


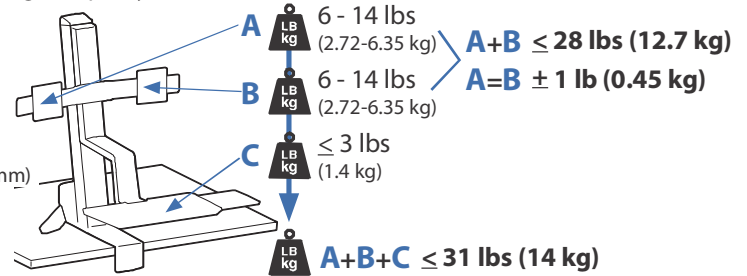
# Ergotron®

## WorkFit-S, Dual

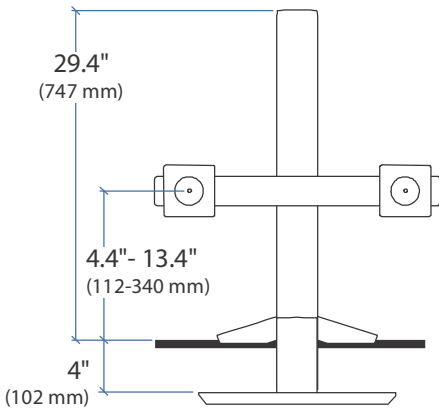
## Dimensional & Range of Motion Illustrations



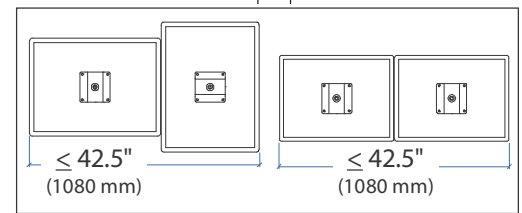
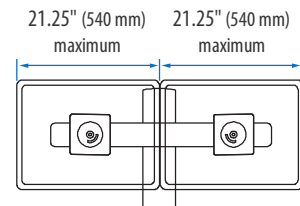
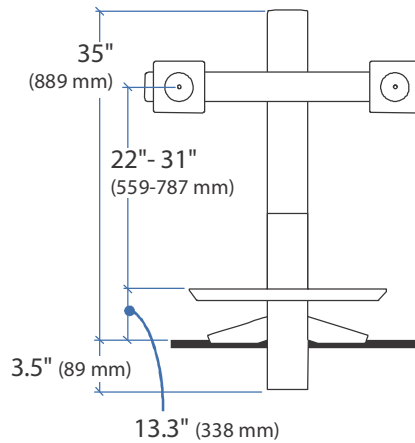
Weight Capacity:



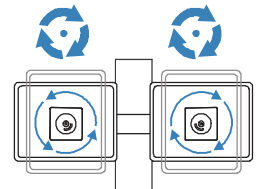
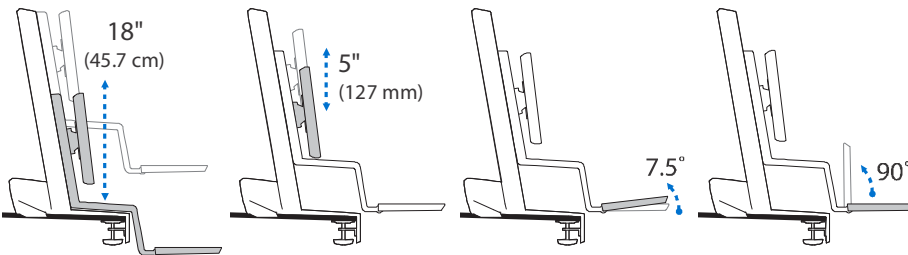
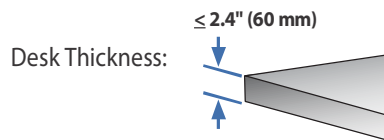
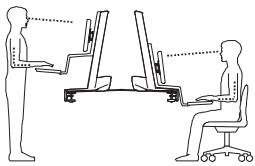
Lowest Position



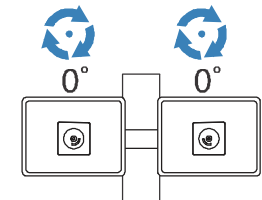
Highest Position



**\*Attention:** Listed allowable widths assume monitor thickness is 2" (51 mm). If monitor thickness is less, allowable width may be more. Contact Ergotron for details.



Portrait/Landscape rotation stop screw can be installed for 0° rotation.



© 2013 Ergotron, Inc. rev. 06/10/2013 DIM-WorkFit-S Content is subject to change without notification

Americas Sales and Corporate Headquarters

St. Paul, MN USA  
(800) 888-8458  
+1-651-681-7600  
www.ergotron.com  
sales@ergotron.com

EMEA Sales

Amersfoort, The Netherlands  
+31 33 45 45 600  
www.ergotron.com  
info.eu@ergotron.com

APAC Sale

Tokyo, Japan  
www.ergotron.com  
apaccustomerservice@ergotron.com

Worldwide OEM Sales

www.ergotron.com  
info.oem@ergotron.com

