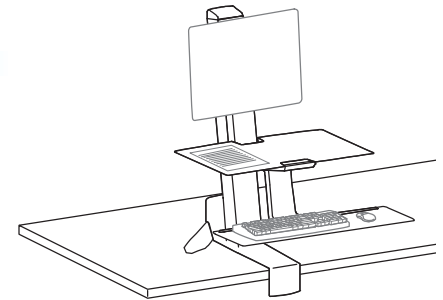
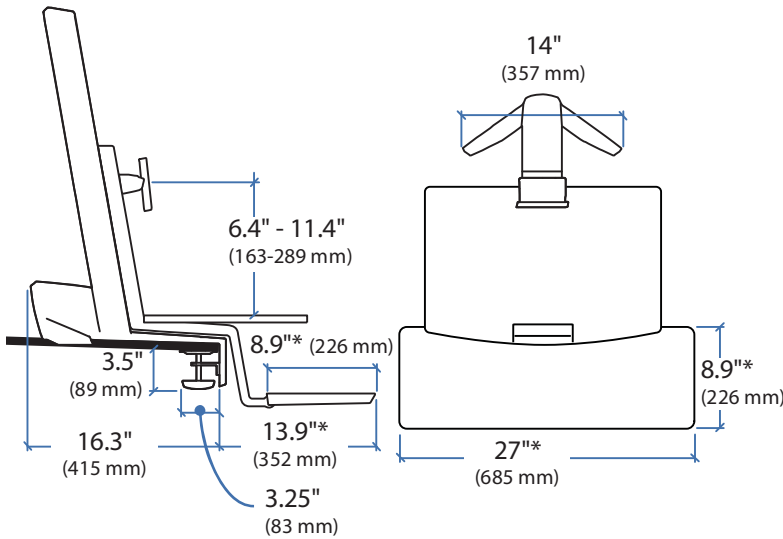
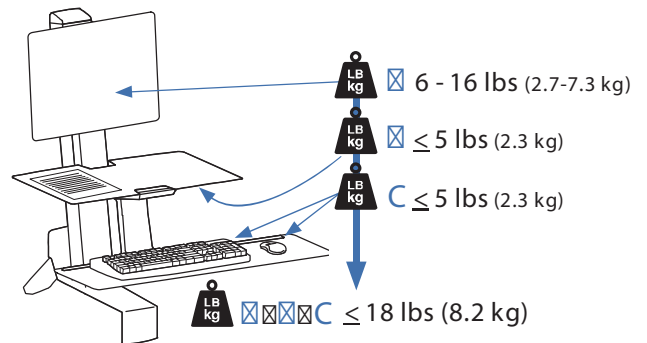


### WorkFit-S with Worksurface, Single LCD Mount, LD

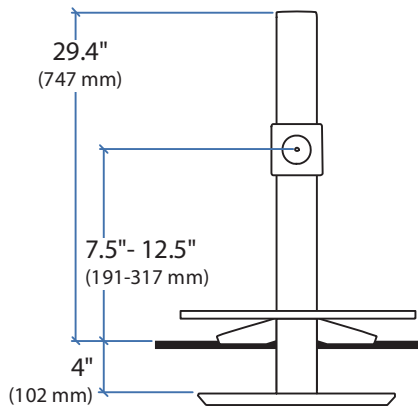


#### Weight Capacity:

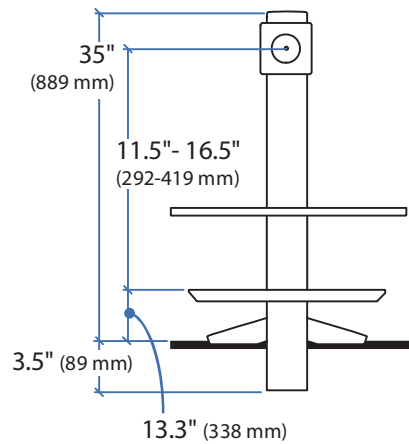


\*Keyboard Tray has 9 Mounting Locations - see page 5 for details.

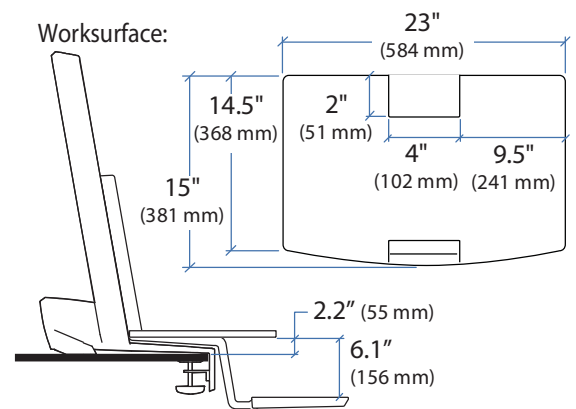
#### Lowest Position



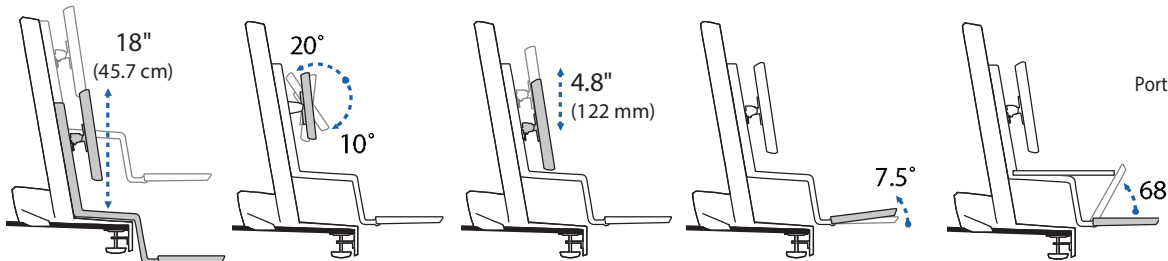
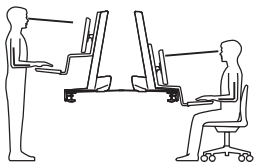
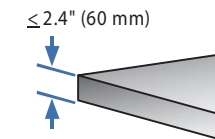
#### Highest Position



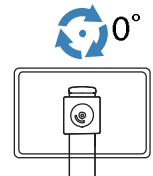
#### Worksurface:



#### Desk Thickness:



Portrait/Landscape rotation stop screw can be installed for 0° rotation.



© 2014 Ergotron, Inc. rev. 06/25/2014 DIM-WorkFit-S-Worksurface Content is subject to change without notification

Americas Sales and Corporate Headquarters

EMEA Sales

APAC Sale

Worldwide OEM Sales

St. Paul, MN USA  
 (800) 888-8458  
 61-651-681-7600  
 www.ergotron.com  
 sales@ergotron.com

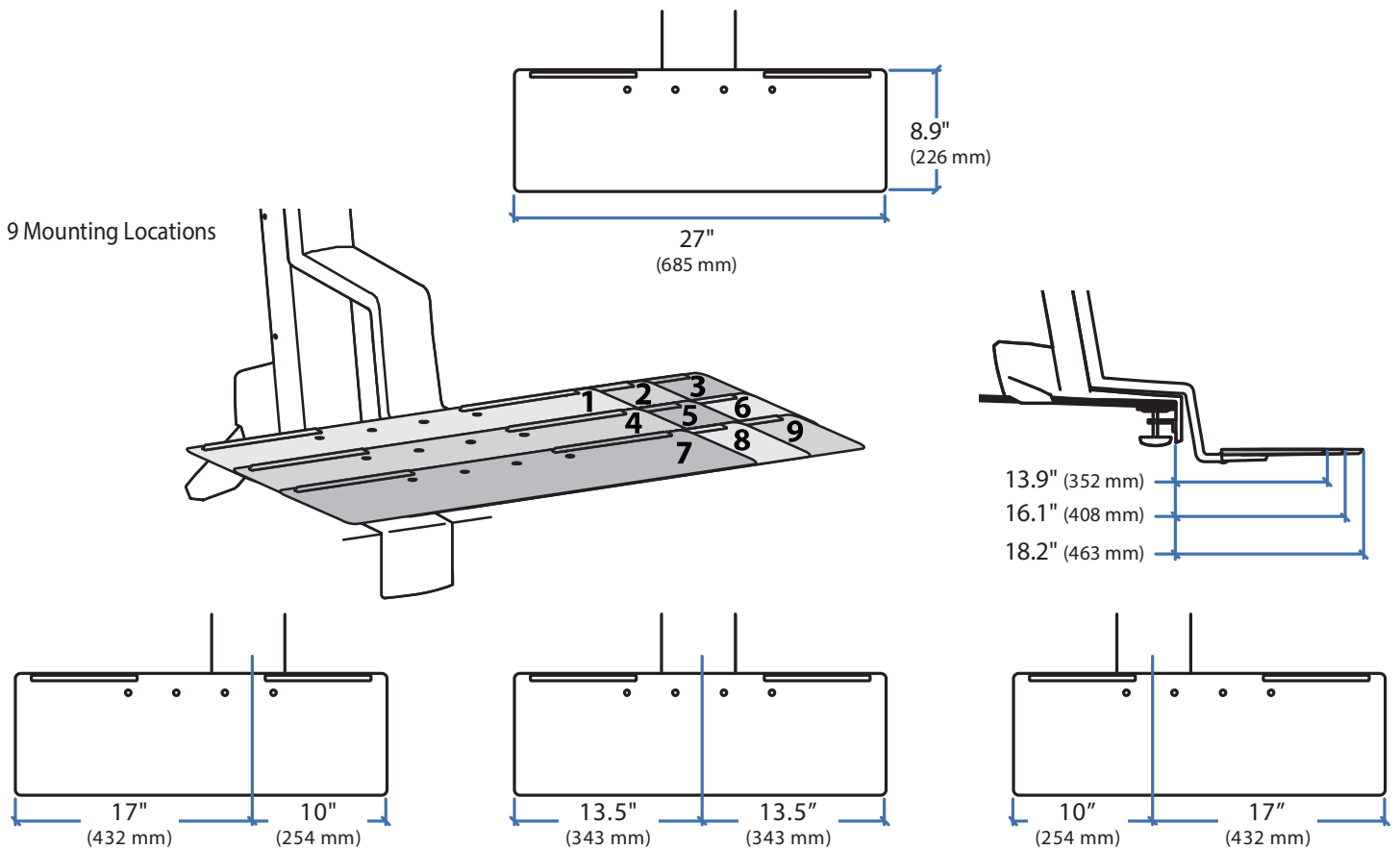
Nijmegen, The Netherlands  
 31 33 45 45 600  
 www.ergotron.com  
 info.eu@ergotron.com

Tokyo, Japan  
 www.ergotron.com  
 apaccustomerservice@ergotron.com

www.ergotron.com  
 info.oem@ergotron.com



### WorkFit-S with Worksurface, Keyboard Tray



© 2014 Ergotron, Inc. rev. 06/25/2014 DIM-WorkFit-S-Worksurface Content is subject to change without notification

Americas Sales and  
Corporate Headquarters

EMEA Sales

APAC Sale

Worldwide OEM Sales

St. Paul, MN USA  
(800) 888-8458  
1-651-681-7600  
www.ergotron.com  
sales@ergotron.com

Eindhoven, The Netherlands  
31 33 45 45 600  
www.ergotron.com  
info.eu@ergotron.com

Tokyo, Japan  
www.ergotron.com  
apaccustomerservice@ergotron.com

www.ergotron.com  
info.oem@ergotron.com

