

EVO® Pole

Model 5800-DC



Meet the EVO® Pole System ... styled to match the award-winning EVO® LCD Arm, offering a highly configurable method of mounting monitors. The EVO® Pole System enables you to suspend arrays of 1-4 monitors above the work surface, with easy height adjustment and positioning. With sleek EVO® styling, this mounting system will contribute to the aesthetic of any modern office environment.

FEATURES

- ▲ Integrated quick-install / quick-release of monitors.
- ▲ Easy height adjustment of arm on pole.
- ▲ Pivot, tilt and rotate monitor.
- ▲ Support monitors up to 20 lbs.
- ▲ Integrated cable management keeps the desk organized.
- ▲ 10 year warranty.



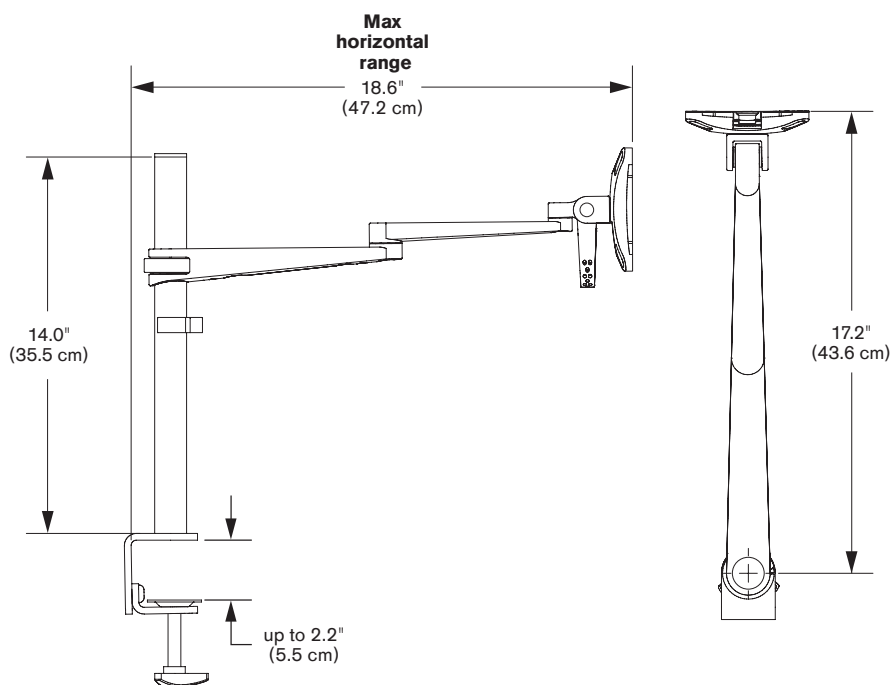
Effortless movement



Integrated cable management

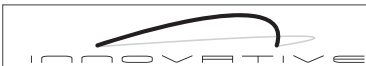
EVO[®] Pole

Specifications



EVO[®] POLE 5800 CAPABILITIES

- Horizontal range** 18.6" (47.2 cm)
- Pole size**..... 14" (35.5 cm)
- Monitor tilt** 90° up, 20° down from center
- Monitor pivot** Landscape to portrait
- Monitor compatibility**..... VESA[®] 75mm and 100mm
- Cable management** Cables are clipped beneath arm
- Mounting options** Desk Edge, Grommet, Thru-Desk
- Monitor weight** Up to 20 lbs (9.0 kg) *at standard monitor depths*



Phone: 800.524.2744 | Fax: 610.253.9521 | E-mail: sales@LCDarms.com | Web: www.LCDarms.com