



WINSTON-E™

Winston-E is a responsive powered riser that takes the sit-stand conversation to a whole new level. The next-generation retrofit work surface with monitor arms is engineered for ease and freedom of movement. Fully loaded, we've thought of every detail for Winston-E so you're free to think about what's important to you.



SINGLE



DUAL



TRIPLE

### FEATURES

- One-touch power: set it and forget it. Electric power to supercharge height adjustment with the touch of a button. Programmable control remembers your height for sit and stand.
- Quickly retrofit to any desk or table. Installers can get Winston-E from box to up and running in less than 20 minutes. No need to move or replace furniture.
- Upping the ante with bold style. Robust electronics encased in a sleek design with modern edges and clean lines.
- Ergonomic monitor adjustment. Focal depth adjustment and independent movement of the monitors lets users keep their monitors at a comfortable, ergonomic level. Flexible adjustment allows for easy screen sharing.
- Expansive work surface. A large work surface and newly designed storage tray allows you to bring all necessities with you when standing.
- Available in a single, dual or triple monitor configuration.

### MODELS

<b>WNSTE-1</b>	Supports up to 40 lbs (18 kg)
<b>WNSTE-2</b>	Supports up to 40 lbs (18 kg) Accommodates most monitors up to 30" widescreen
<b>WNSTE-3</b>	Supports up to 40 lbs (18 kg) Accommodates most monitors up to 24" widescreen

### FINISHES

GRAY DUOTONE | color code: **270**



Electric height adjustment makes going from sitting to standing effortless.



Independent movement of the monitors lets users keep each monitor at a comfortable, ergonomic level.

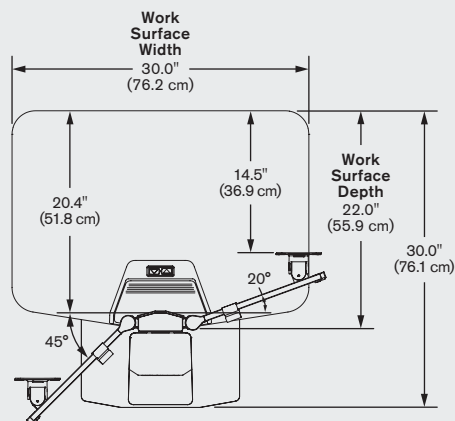
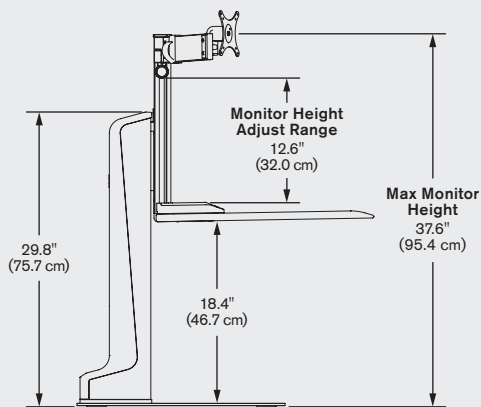


Focal depth adjustment allows users to easily position monitors to a comfortable viewing distance.



Programmable height adjustment, so the workstation always rises to the right position with a single touch.

CAPABILITIES



Free-Standing Base

