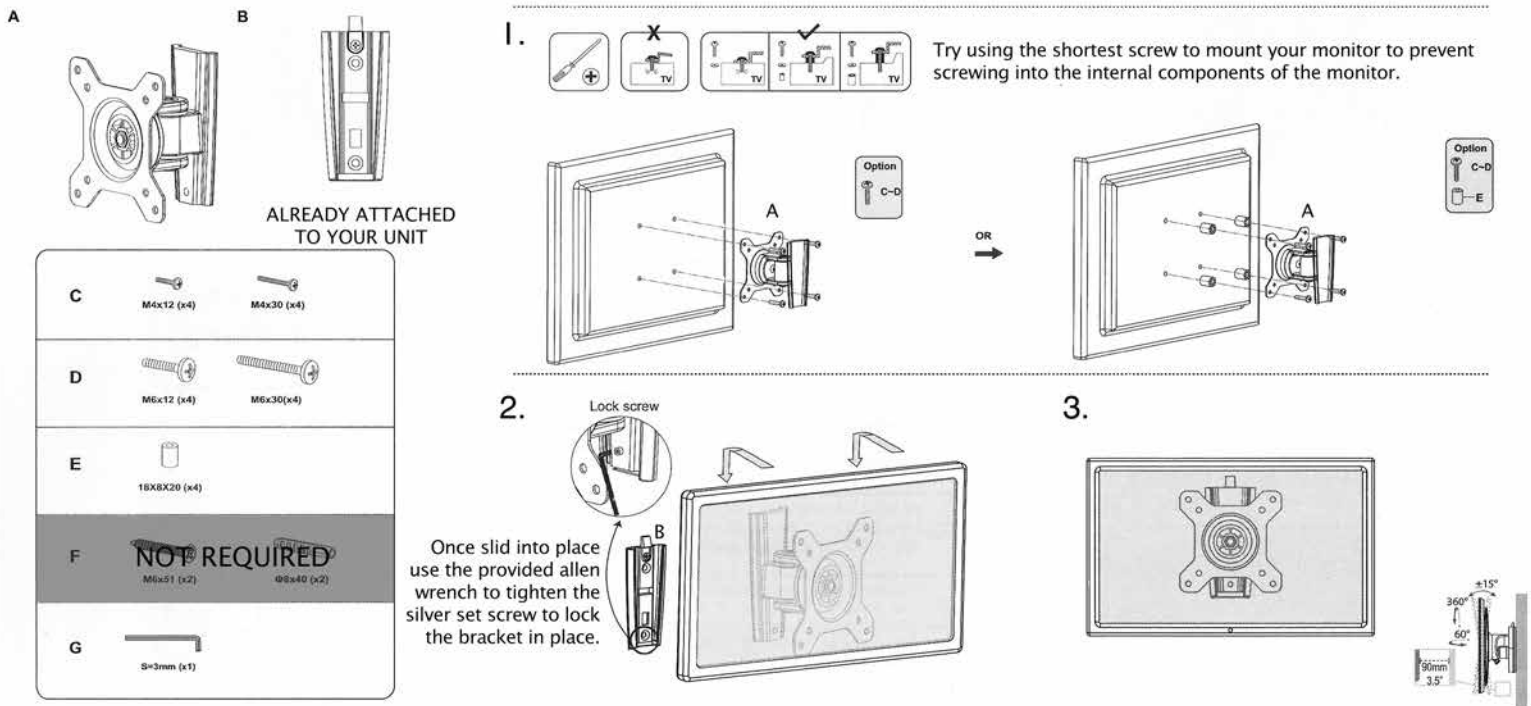


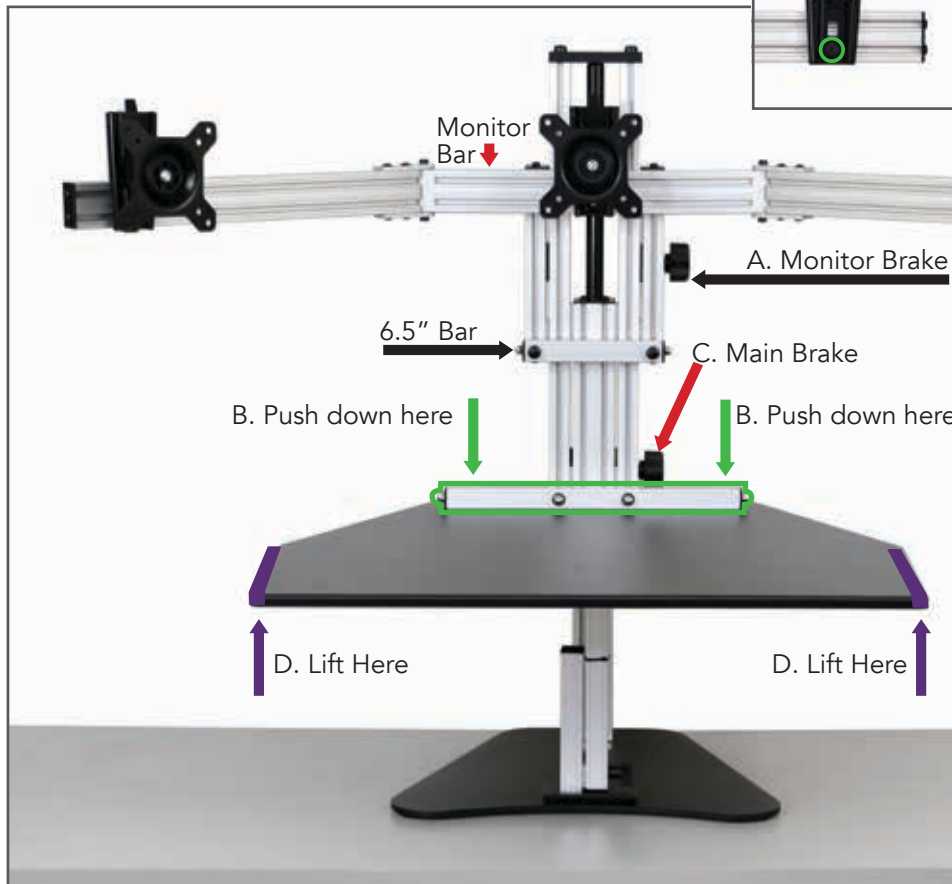
THE TRI-ELITE

The Tri-Elite is designed to hold (3) LCD Monitors on the VESA 75 x 75 or 100 x 100mm compatible brackets and your keyboard and mouse on the main work surface. Your Tri-Elite is shipped in the down position with the Main Brake tightened. The Tri-Elite has (2) springs that assist in raising your unit to the standing position and works best when your monitors and keyboard are in place. This reduces the amount of pressure needed to lower the unit.

Always push down with both hands on the horizontal rear rail when lowering the main work surface.



HOW TO USE THE TRI-ELITE



To move the mount horizontally closer or farther apart, simply loosen the bolt attached to the horizontal monitor rail (B) by a **single turn with a 5/32 allen wrench**. Once you have reached the desired position tighten the bolt.

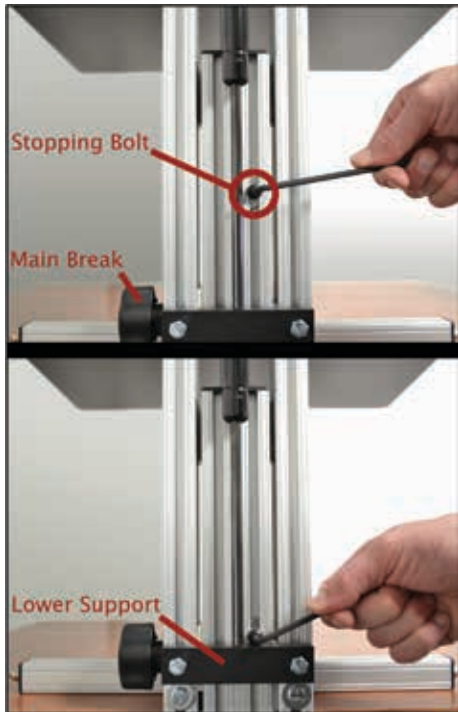
To raise the Tri-Elite, loosen the main brake (C) and lift the main work surface on the sides (D & D). To raise the Monitor, loosen the monitor brake (A) and lift the 6.5 bar or monitor bar.

To lower the Tri-Elite, loosen the main brake (C) and lean into the unit using your upper body weight pushing down with both hands on the horizontal bar at the rear of the main horizontal work surface (B & B).

To Lower the monitors, loosen the monitor brake (A) and push down with one or two hands on the 6.5 support bar or monitor bar.

- A. Monitor Brake**
- B. Work Surface Rail**
- C. Main Brake**
- D. Main Work Surface**

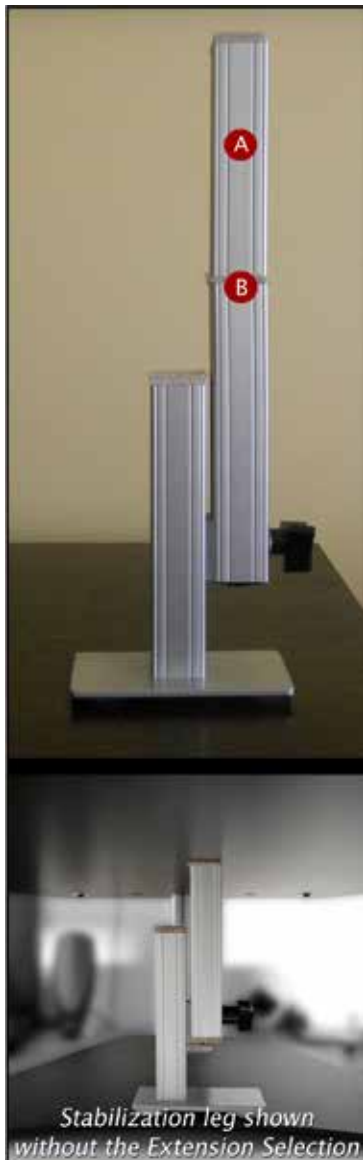
ADJUST THE STOPPING BOLT



On the back side of your unit you will notice a small bolt located on the lifting tower. This bolt is used as our work surface stopper. It is currently set at 15", the highest our unit should go. This setting is for a 6'2" user on a 30" high desk. If you are shorter than this, raise the unit to your desired height and tighten the Main Brake. Adjust the stopping bolt by loosening the bolt **with one turn** and drop the bolt down to reach the lower support, and re-tighten the stopping bolt.

If you are a taller individual and need to raise the stopping bolt, please note that the work surface can get up to 16 1/2 inches but you will be raising the unit into the oil dampening zone of the spring. This makes it a little more difficult to lower the unit into the seated position when raised to this maximum point.

Our work surface should only be raised to your belt or navel line. This creates a 90-110 degree angle in your elbows which is suggested in the standing position. This will also allow you to lower the unit with ease by simply transferring your upper body weight into the back of the unit.



THE STABILIZATION LEG

Your adjustable height desk top unit comes with an adjustable leg that can be used to give you maximum stability when you are using "The Kangaroo" in the standing position.

Raise the Kangaroo work surface to your desired standing height and tighten the work surface brake.

Place the adjustable leg under the work surface and loosen the adjustable leg brake. Only loosen the brake by a turn or two, too much and the brake will disengage from the slot.

Extend the adjustable leg until it engages the bottom of the work surface and then tighten the adjustable leg brake.

The leg is shipped with the extension section installed to give you additional height adjustment. If this is too tall for your application, simply unscrew the extension selection.

A Extension selection

B Screws into here

ALWAYS REMEMBER TO REMOVE THE STABILIZATION LEG BEFORE LOWERING YOUR WORK SURFACE