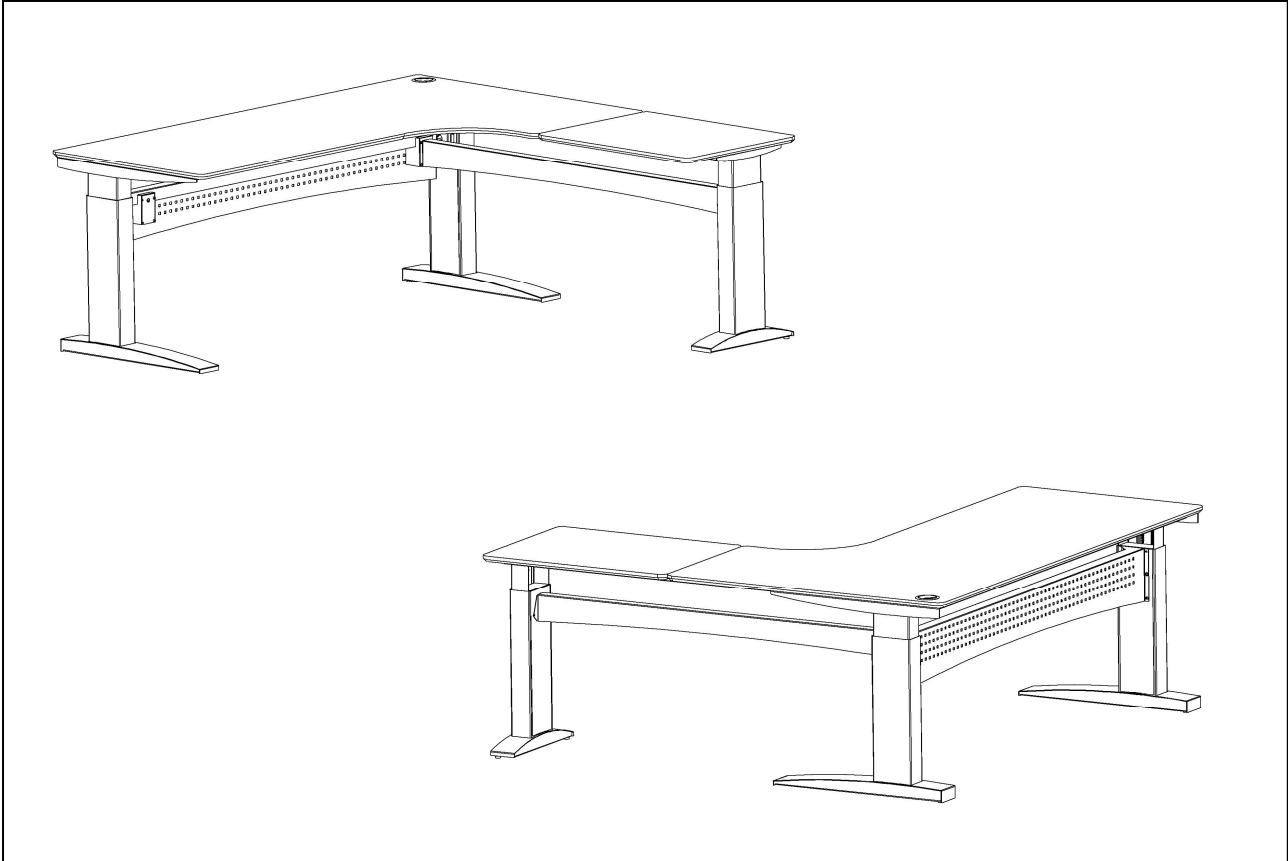


ELECTRIC HEIGHT ADJUSTABLE TABLE

ConSet® - TYPE 501-11, 3- LEG



DIRECTIONS FOR USE / ASSEMBLING

EN



WARNING

WARNING: FAILURE TO COMPLY WITH OR OBSERVE ALL ASSEMBLY, SAFETY AND OPERATION INSTRUCTIONS AND WARNINGS REGARDING THE USE OF THIS PRODUCT MAY RESULT IN SERIOUS BODILY INJURY.

IMPORTANT NOTES!

Prior to installment, use and maintenance of the table frame, any installer and any user of the table must study this assembly and operation manual carefully, so as to gain a complete understanding of its contents.

TABLE OF CONTENT

1. SAFETY AND WARNINGS
2. USAGE
3. SET UP AND INSTALLATION
4. OPERATION
5. MAINTENANCE AND DEFECTS
6. TECHNICAL DATA
7. PARTS
8. ASSEMBLY DIRECTIONS
9. DECLARATION OF CONFORMITY

1. SAFETY AND WARNINGS

- This table complies with the prescribed safety regulations. Inappropriate use may cause damage to persons and table.
- Please read the operation manual prior to start using the table. It provides you with important information about safety, use, installation and maintenance of the table, and thus protecting you and your children and avoiding damage on the table.
- Please guard this operation manual and pass it on to any future owner!

2. USAGE

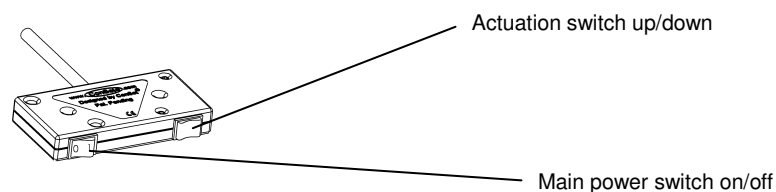
- The electromotive, height-adjustable tables are designed for workstations in dry work environments only. The table height is infinitely adjustable, so that it can be set to the most ergonomically suitable working level.
- They have not been designed for other purposes than those included in this manual, e.g. they are not to be used in areas of high humidity or dampness, nor for lifting people. Any other use is at one's own risk!
- **Do not crawl, lie or move around under the table frame, and do not sit or stand on the table frame.**
- **CHILDREN should only use the table when supervised by adults.**
- **Liability:** The manufacturer accepts under no circumstances warranty claims or liability claims for damages arising from improper use or handling of the table frame other than that described in this operation manual.

3. SET UP AND INSTALLATION

When the table has been assembled (see assembly instructions chapter 8) the adjustable feet are installed so that the table is level and does not shift. Then the table is connected to the 110-230 VAC outlet and the table is ready for use.

- Make sure that no cables can get jammed.
- Place the table in a safe distance from window frames, radiators, furniture etc. so that people do not get stuck.
- Do not place any objects above 55 cm underneath the table.
- When moving the table after it has been assembled, the table top needs to be removed. The table CANNOT be lifted by the tabletop.


4. OPERATION

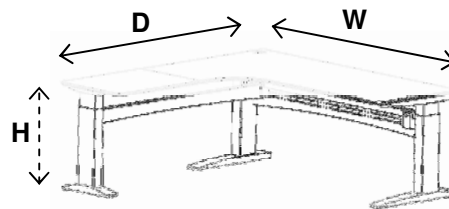
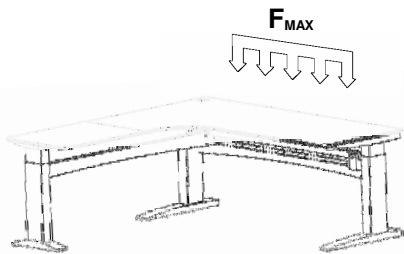


5. MAINTENANCE AND DEFECTS

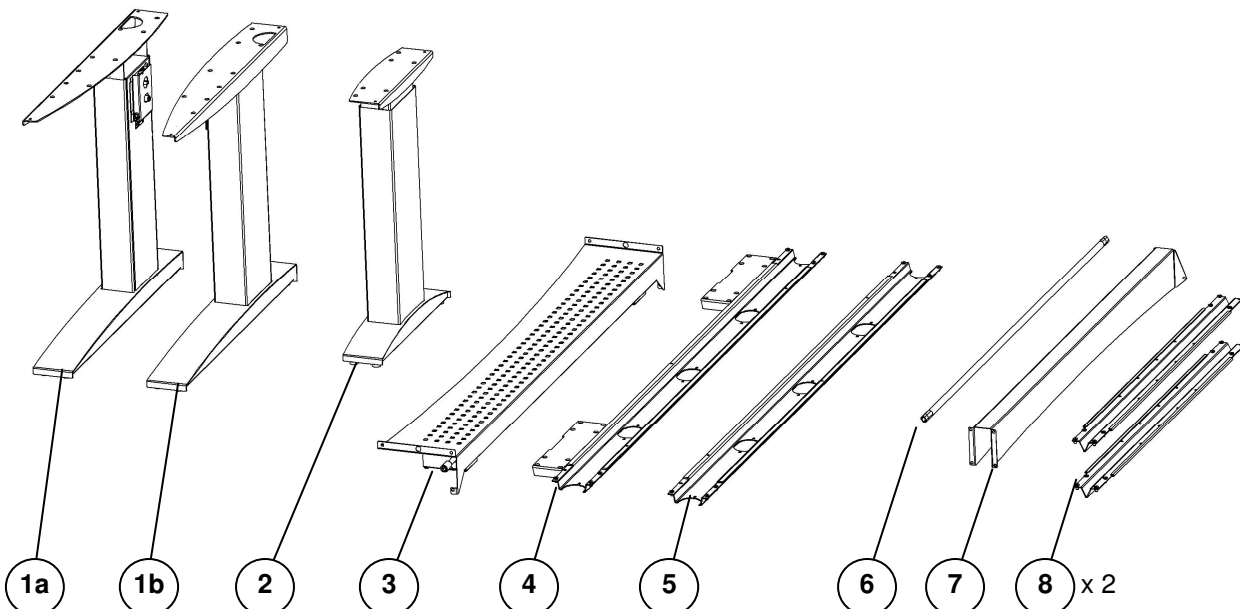
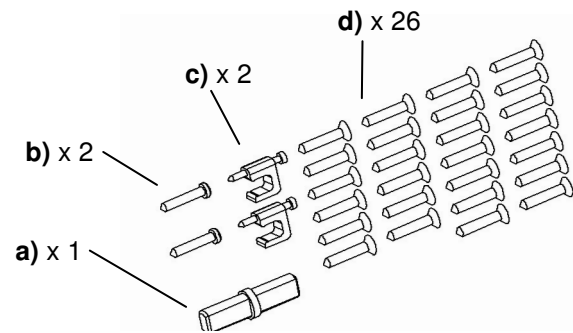
- The table does not require any maintenance by usage as described in chapter 2 in the directions for use.
- The table is only to be cleaned with a wrung cloth.
- In the event of the occurrence of jarring sounds during operation, STOP using the table and please contact the dealer.

6. TECHNICAL DATA

Frame, materials and weights:	Steel, silver or black - Weight metal frame ~ 73 – 80kg
W	160-240 cm
D	160-240 cm
H	65 – 121 cm
V (speed)	~28 mm/sec.
F_{MAX} = Max. Load on tabletop: 	150 kg
Operation:	Rocker switches, Energy saving function
Voltage:	220-230 VAC / 50Hz or 110-100 VAC / 60Hz
Consumption:	120 Watt max., Standby AC cut off 0W

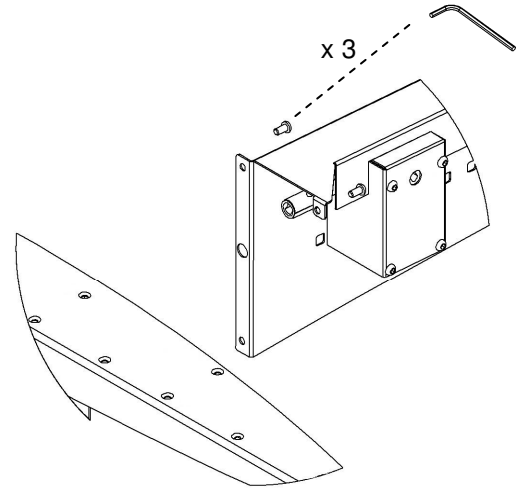
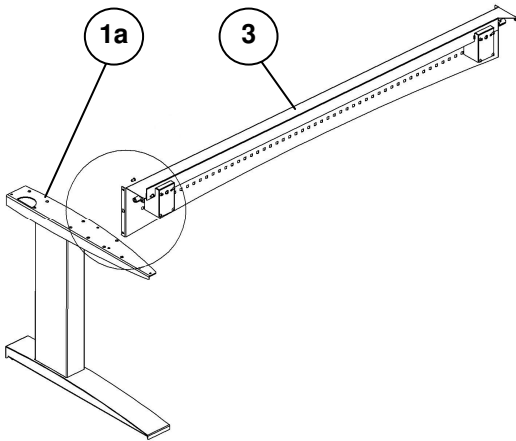


7. PARTS

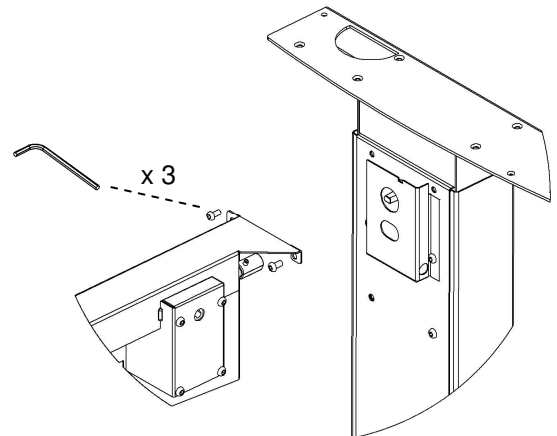
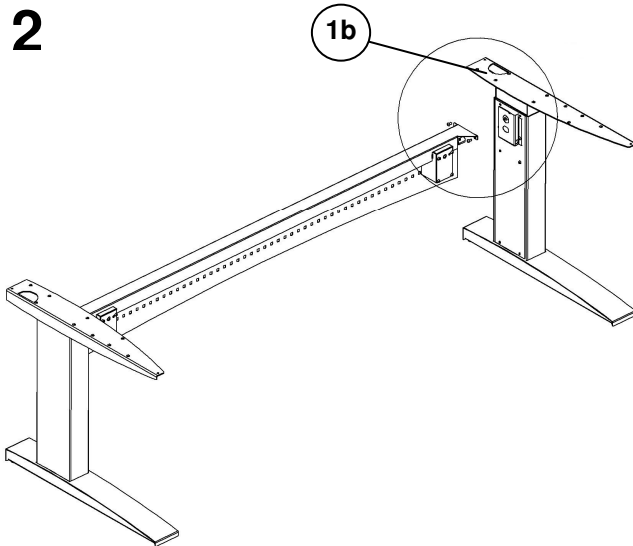


8. ASSEMBLY DIRECTIONS

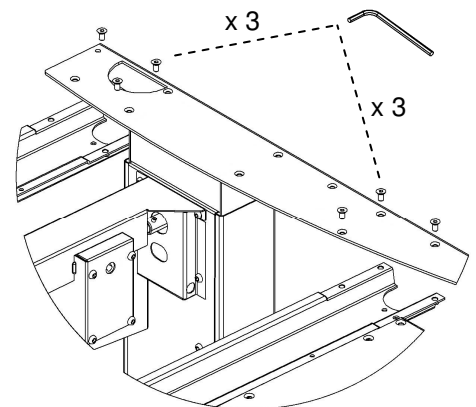
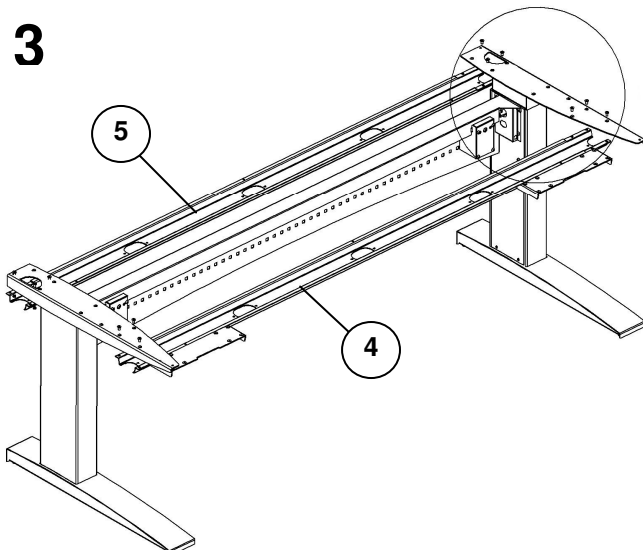
1



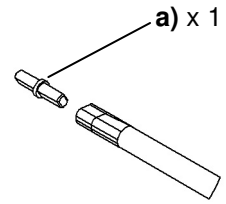
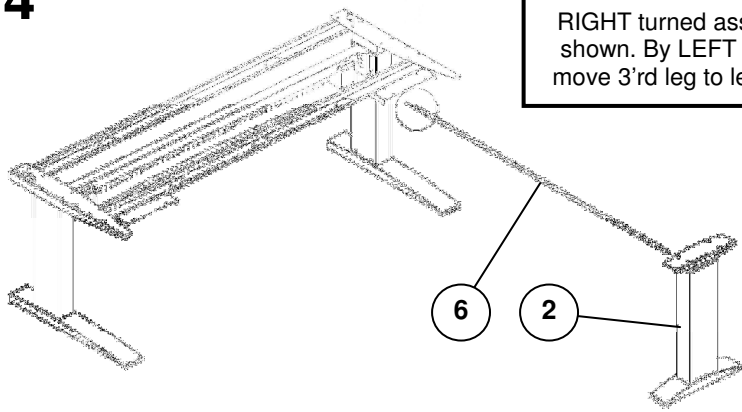
2



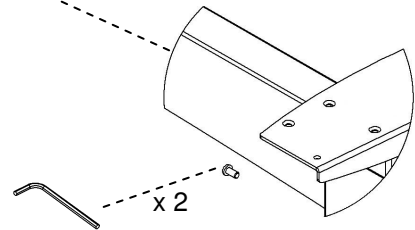
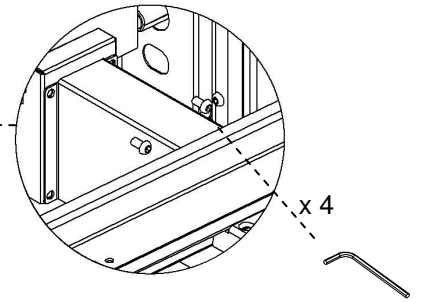
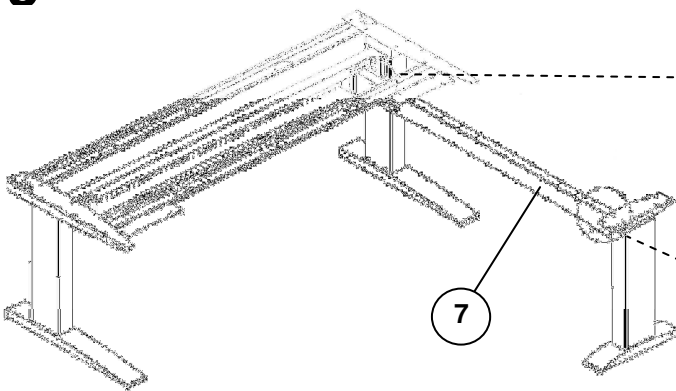
3



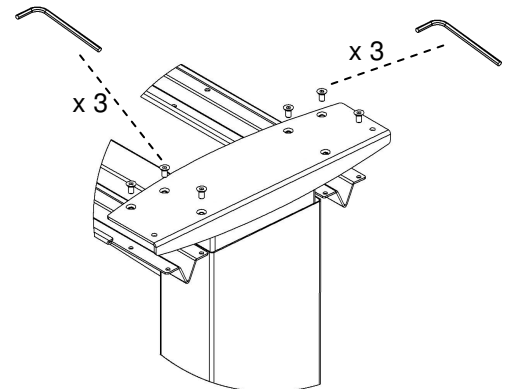
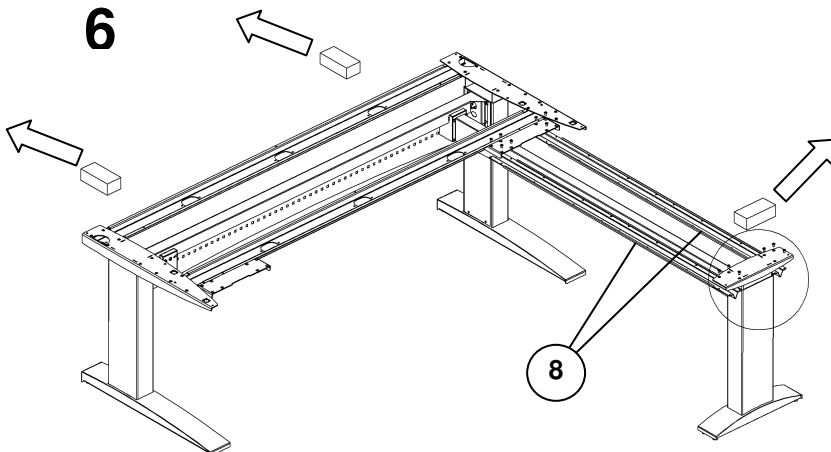
4



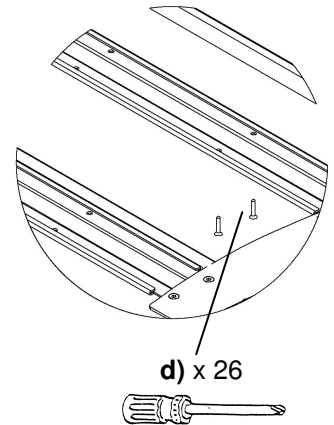
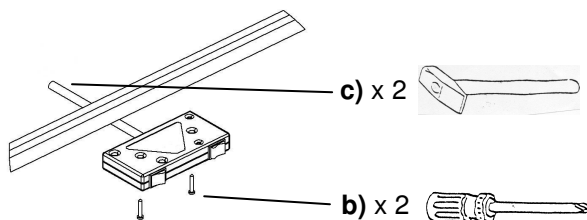
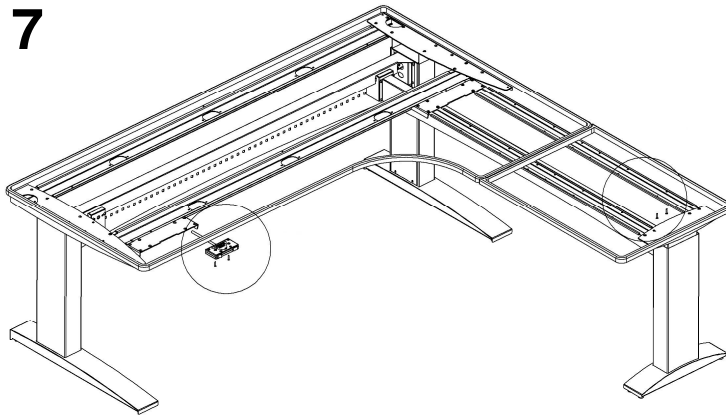
5



6



7



All 26 pcs. screws **d)** need to be tightened to reach maximum stability.

The table is now assembled. Follow the directions for use in CHAPTER 2.

9. DECLARATION OF CONFORMITY

We hereby declare, under our sole responsibility that the following products:

- ConSet sit and stand tables product type 501-11

which are covered by this statement, are in conformity with the following standards and other normative documents::

- Counsel Directive 98/37/EF
- Counsel Directive 89/336/EØF with later changes
- Counsel Directive 73/23/EØF with later changes

With reference to the Machinery Directive (98/37/EF) please be aware:

- the sit and stand table is considered a machine and
- the sit and stand table may not be used until it has been assembled and installed according to the instructions.

Manufacturer:

ConSet A/S
 Staalvej 14-16
 DK-6900 Skjern
 Denmark
 Tel: +45 9680 0080, Fax: +45 9680 0081
 www.conset.com
 conset@conset.com

Supplementary Assembly Directions: 501-11 3-Leg

To assist our customers with set-up of the **501-11 3-Leg** height adjustable base, ConSet America has prepared a supplementary set-up guide that should be used in conjunction with the assembly directions sent along with the base.

The **501-11 3-Leg** base can be purchased with either a **22" or 29" top bracket**, and therefore each requires a slightly different set-up.

To assist with set-up, please find attached photos and engineer's drawings of our **501-11 3-Leg** base highlighting where to install the cross member. Please use the photos, engineer's drawings and these directions to guide you in the set-up ensuring all parts will be installed correctly.

- With the **22" top bracket**, please move the inside cable tray to the end **two holes** on each top bracket of the primary.
- You should now have 3 holes lining up on both the 3rd leg of the base and the 3rd leg mounting plate which is attached to the inside cable tray (See photos and drawings).
- Where you see the sticky notes on the cable tray (photos), there are screws holes to be used to attach your top.

~~~~~

- With the **29" top bracket**, please move the inside cable tray to the end **three holes** on each top bracket of the primary.
- You should now have 3 holes lining up on both the 3<sup>rd</sup> leg of the base and the 3<sup>rd</sup> leg mounting plate which is attached to the inside cable tray (See drawings).
- Where you see the sticky notes on the cable tray (photos), there are screws holes to be used to attach your top.





