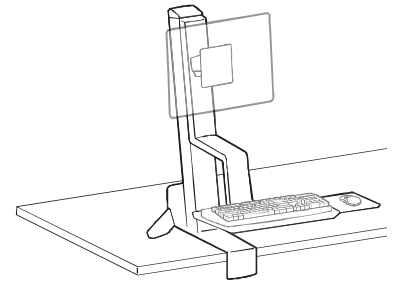
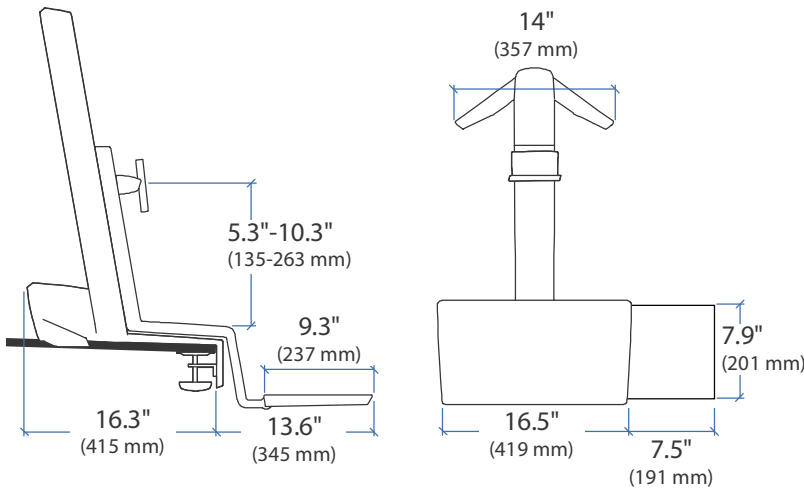


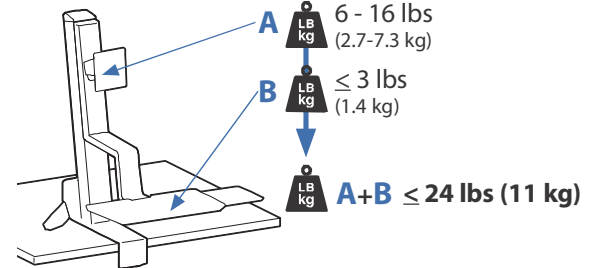
Ergotron®

WorkFit-S, Single LCD Mount, LD

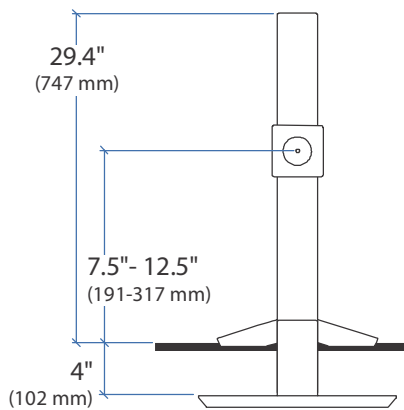
Dimensional & Range of Motion Illustrations



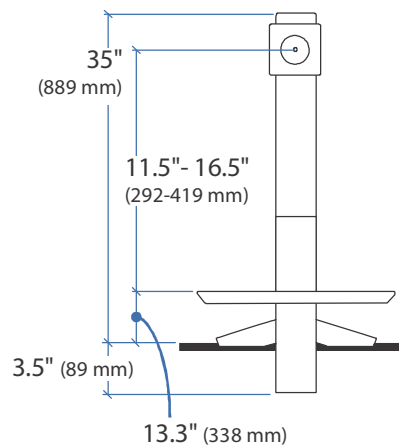
Weight Capacity:



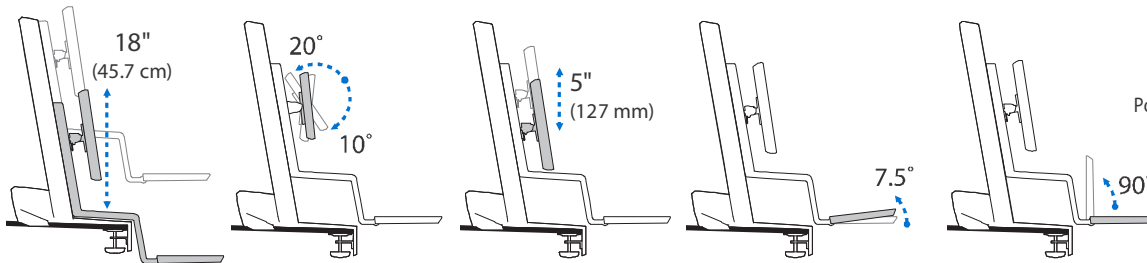
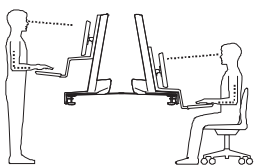
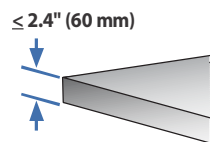
Lowest Position



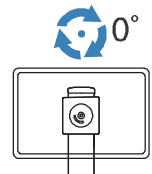
Highest Position



Desk Thickness:



Portrait/Landscape rotation stop screw can be installed for 0° rotation.



© 2013 Ergotron, Inc. rev. 06/10/2013 DIM-WorkFit-S Content is subject to change without notification

Americas Sales and Corporate Headquarters

St. Paul, MN USA
 (800) 888-8458
 +1-651-681-7600
 www.ergotron.com
 sales@ergotron.com

EMEA Sales

Amersfoort, The Netherlands
 +31 33 45 45 600
 www.ergotron.com
 info.eu@ergotron.com

APAC Sale

Tokyo, Japan
 www.ergotron.com
 apaccustomerservice@ergotron.com

Worldwide OEM Sales

www.ergotron.com
 info.oem@ergotron.com

