



WINSTON WORKSTATION[®]

DESKTOP CONVERTERS

innovative[™]
design works

GIVE YOUR DESK A BOOST.

This workstation instantly converts any desk into a sit stand workspace, boosting health and productivity. Winston is available in single, dual, triple, and quadruple monitor support.



Expansive worksurface
(compact worksurface available)



Seamless height adjustment

FEATURES

- **Stability:** Features an overall height adjust range of 17" and a locking cylinder to keep the workstation in place.
- **Easy:** Retrofits to your existing desk with the freestanding base.
- **Organized:** Clips in the column and beam keep cables out of the way.
- **Convenient:** Expansive worksurface and storage tray allows you to bring all necessities with you when you stand.
- **Compatible:** VESA-monitor compatible – VESA adapter(s) included.

SPECIFICATIONS

Finishes

- Flat White
248
- Silver
124
- Vista Black
104

Height Adjustment: 17.1"

Max Monitor Height: 37.6"

Worksurface: 30" W x 23" D

Compact Worksurface: 30" W x 17" D

Base: 20.7" W x 22" D

See pages 3-4 for additional specs

WARRANTY

5 years

WINSTON WORKSTATION



WINSTON WORKSTATION SINGLE

Screen Size: Up to 43"

Weight Capacity: 7 - 20 lbs.

Part Numbers: WNST-1-___

WNST-1-CW-___ (compact worksurface)



WINSTON WORKSTATION DUAL

Screen Size: Up to 30"

Weight Capacity: 10 - 26 lbs.

Part Numbers: WNST-2-___

WNST-2-CW-___ (compact worksurface)



WINSTON WORKSTATION TRIPLE

Screen Size: Up to 24"

Weight Capacity: 15 - 36 lbs.

Part Numbers: WNST-3-___

WNST-3-CW-___ (compact worksurface)



WINSTON WORKSTATION QUAD*

Screen Size: Up to 24"

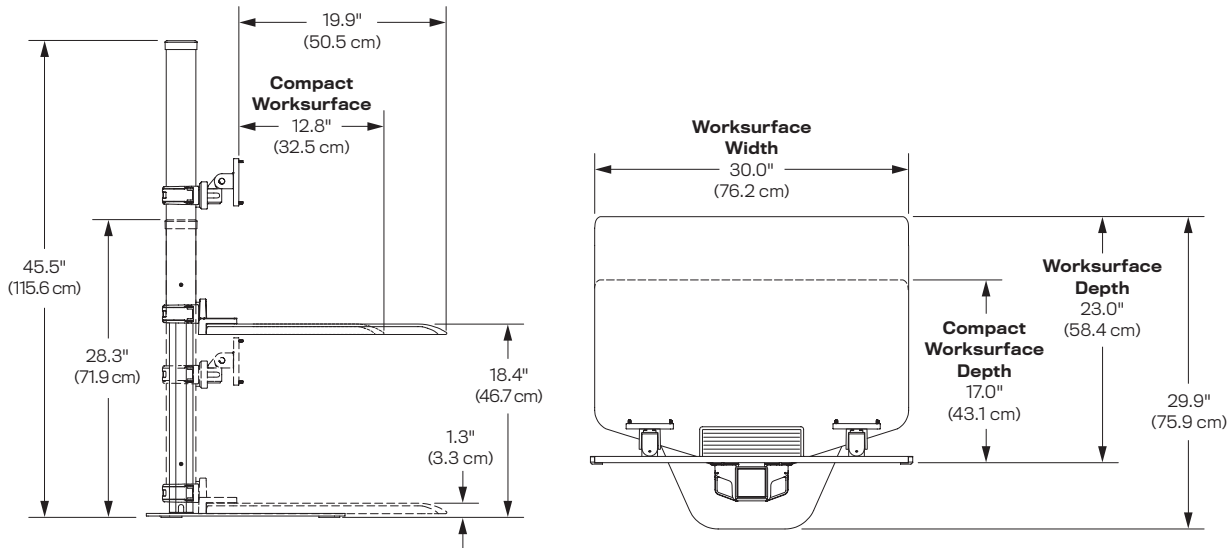
Weight Capacity: 24 - 40 lbs.

Part Numbers: WNST-4-___

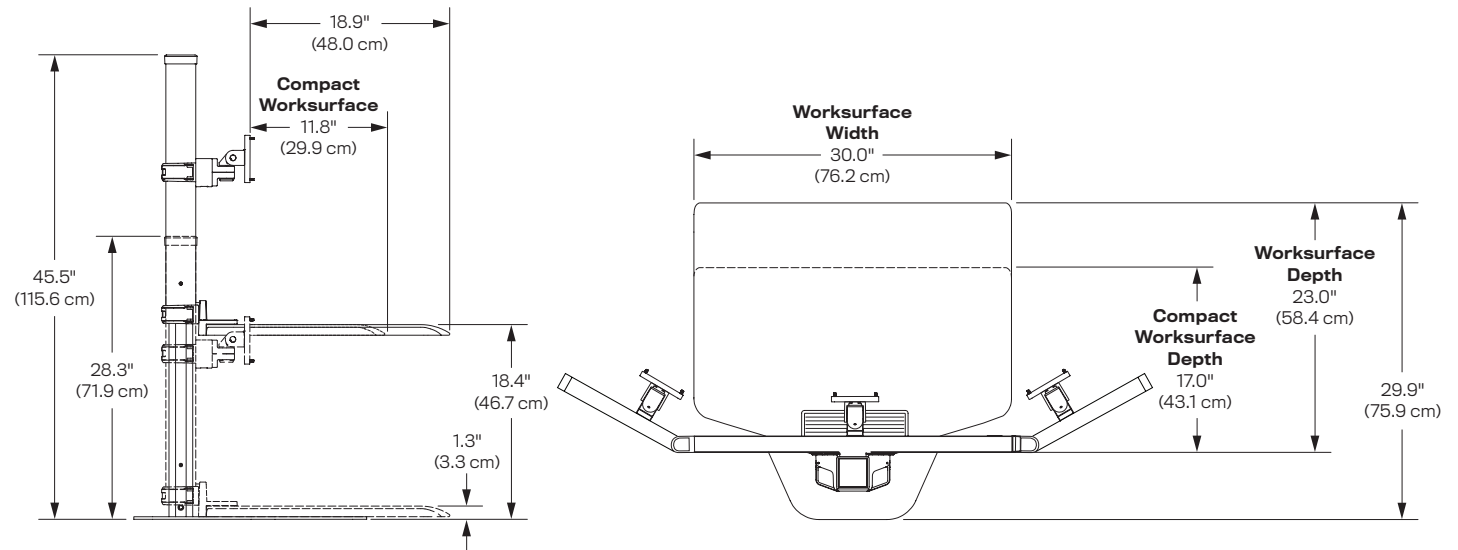
WNST-4-CW-___ (compact worksurface)

CAPABILITIES

WINSTON WORKSTATION SINGLE & DUAL



WINSTON WORKSTATION TRIPLE & QUAD



BASE

